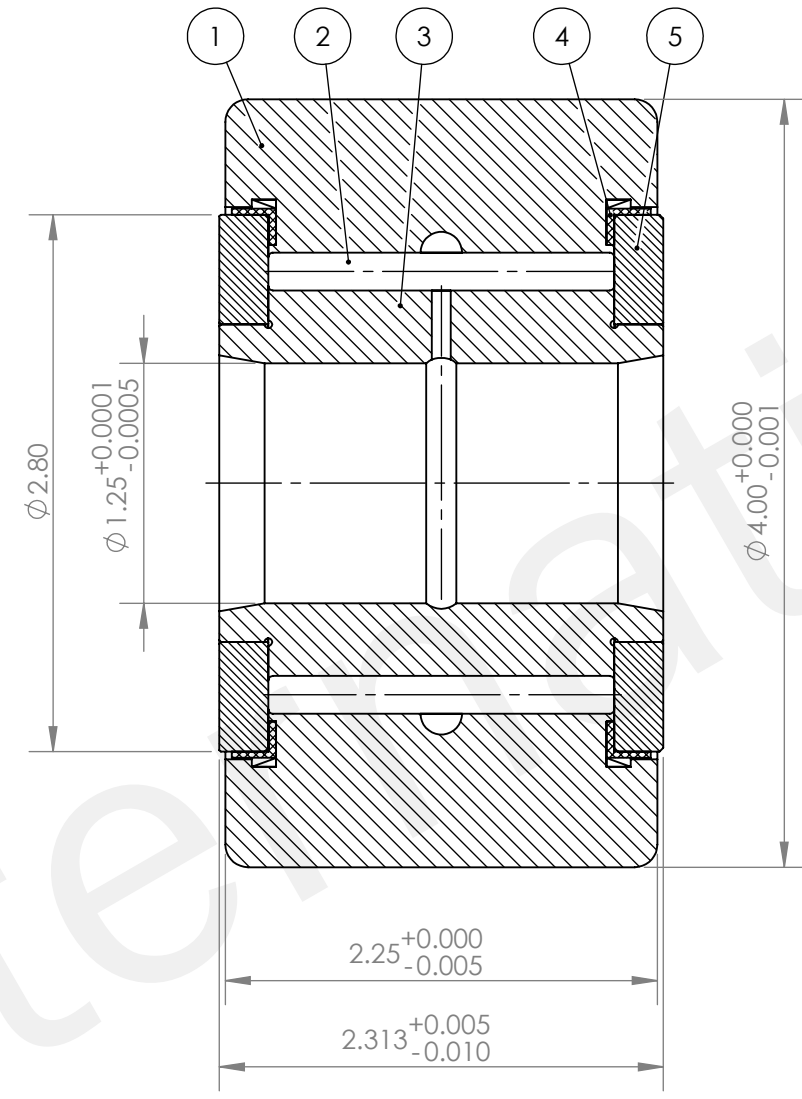
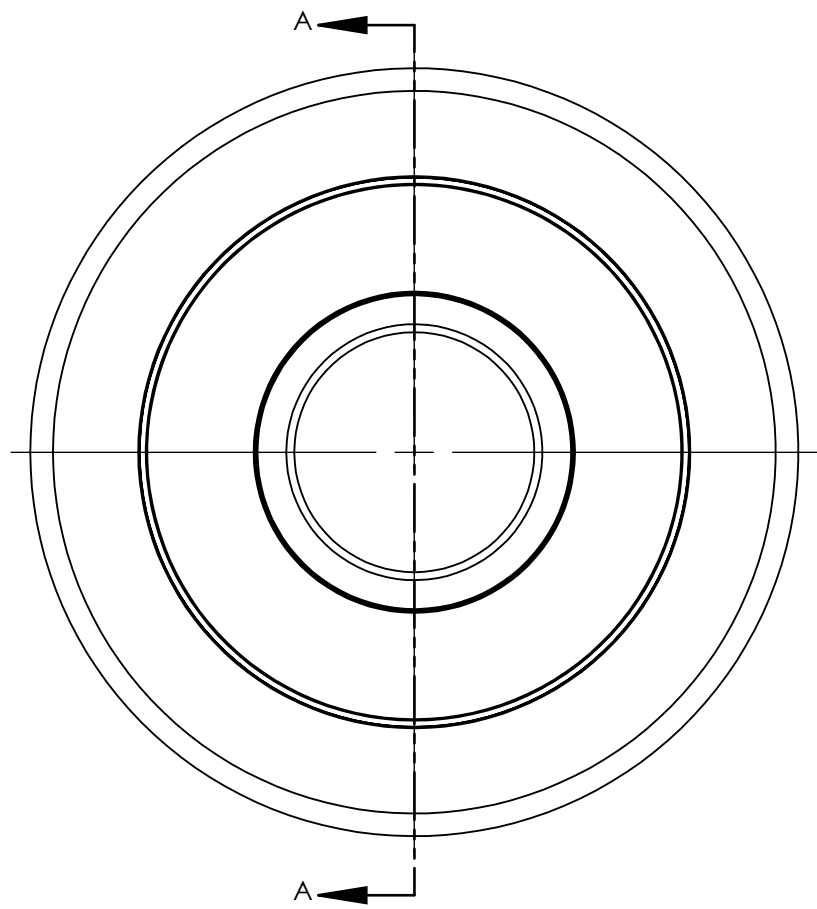
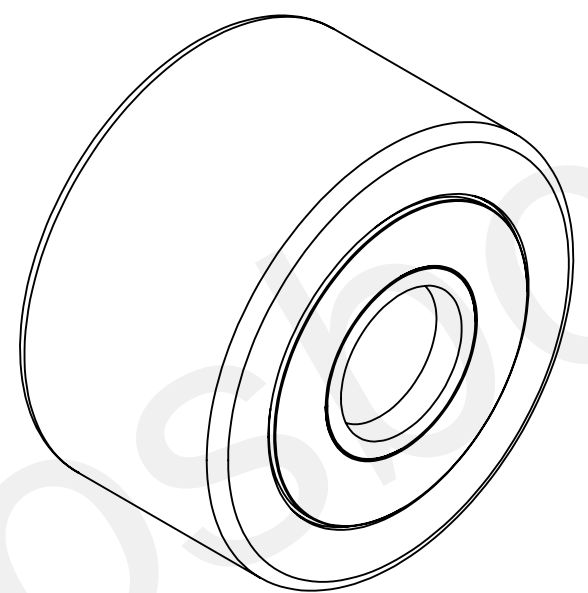


8 7 6 5 4 3 2 1



SECTION A-A



Number	Item	Quantity
5	Inner Ring	1
4	Retaining Washer	2
3	SEAL	2
2	Roller	38
1	Outer Ring	1

Notes: 1.Bearing must be clean, free of burrs, scratches and other foreign matters 2.Radial internal clearance: 0.02-0.045mm 3.Dynamic load: 29985 LBS, Static load: 89540 LBS 4.Bearing pre-lubricated with EP-2 extreme pressure grease 5.Black oxide on external surfaces Passing on and copying of this document, use and its contents is not permitted unless expressly permitted. Violators are liable for damages. All rights for the Case of patent award or utility model registration. (DIN34/ISO16016) Weitergabe sowie Vervielfältigung dieser Unterlage, Verwendung und Mitteilung ihres Inhalts nicht gestattet, soweit nicht ausdrücklich erlaubt. Zuwiderhandlungen verpflichten zu Schadensersatz. Alle Rechte für den Fall der Patenterteilung oder Gebrauchsmuster-Eintragung vorbehalten. (DIN34/ISO16016)					Units are in Inches ASME Y14.5 X.X ± 0.040 X.XX ± 0.015 X.XXX ± 0.005 X.XXXX ± 0.0005		Third Angle Projection		State: Approval Pending QTY: Scale: 1:1	
Drawn 2016/10/21 AS Check - - Aprv - - Department LoadRunner					Name AS Date 2016/10/21 Name AS		Hardness: - HRC Name / Title: YOKE TYPE TRACK ROLLER BEARING Mat'l Dims: CYR-4-S Description: SEALED		Machine Name: - Machine No: - Tool Name: - Tool No: -	
Rev ECN Description Date Name Made From:-					Drawing Number: 0009222600 SAP Part Number: - Replacement for:-		Sheet Size ANSI B 1 of 1 Replaced by:-			

8 7 6 5 4 3 2 1