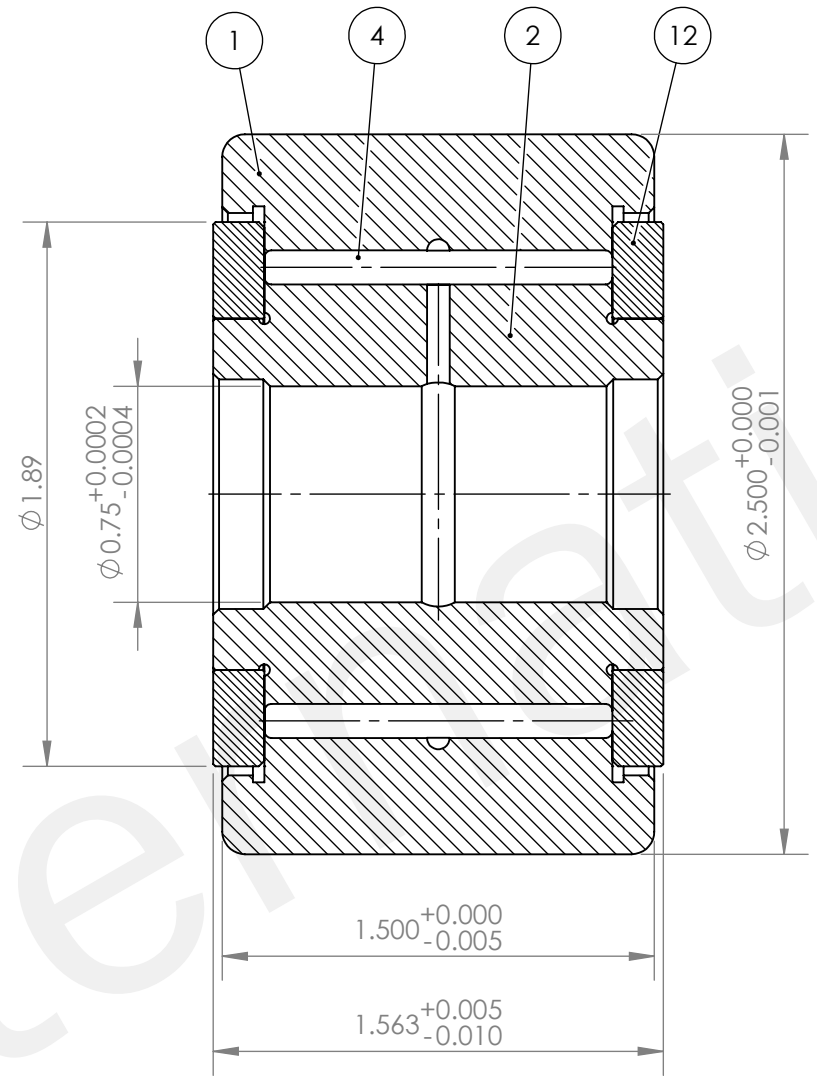
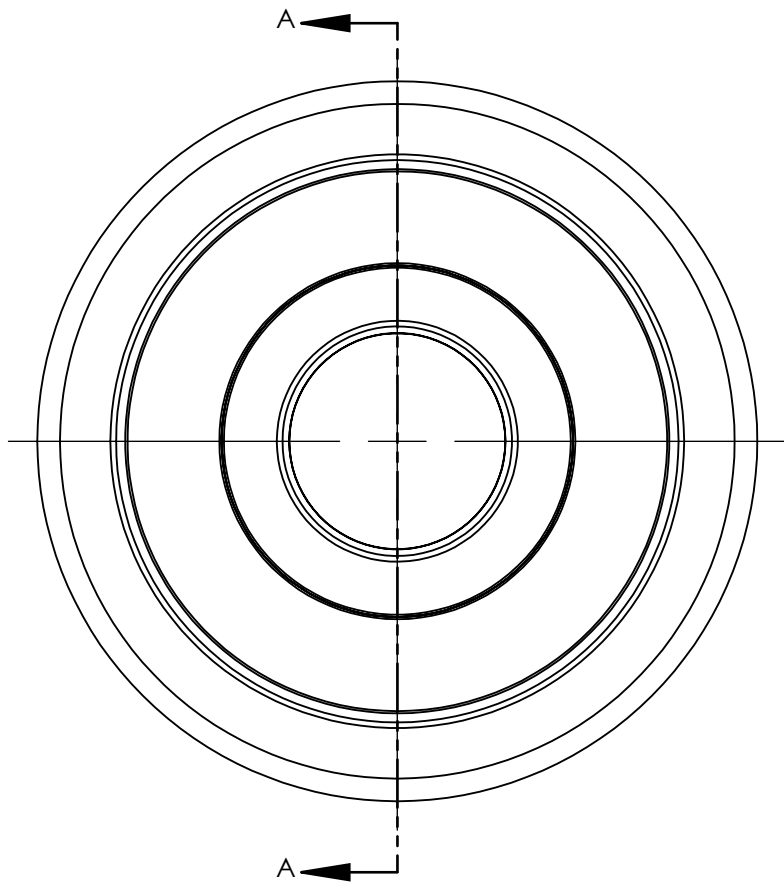


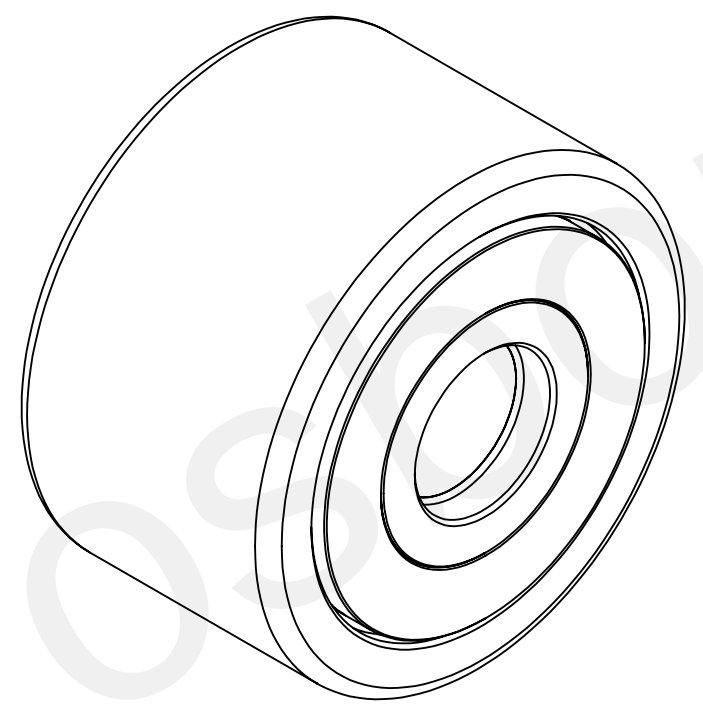
8 7 6 5 4 3 2 1

D  
C  
B  
A

D  
C  
B  
A



SECTION A-A



12	LOOSE RIB	1
04	NEEDLE ROLLER (P4.54X27.8)	27
02	INNER RING	1
01	OUTER RING	1
NO.	NAME	QTY

Notes: 1. Rated load: Cr =66.1 KN, Cor=111.8 KN ; 2. Radial internal clearance: 0.020-0.045mm ; 3. Bearing surface blackening treatment: 4. Grease: Shell Grease ; 5. Shape location tolerance should be to current standard.					Units are in Inches ASME Y14.5 X.X ± 0.040 X.XX ± 0.015 X.XXX ± 0.005 X.XXXX ± 0.0005		Third Angle Projection		State: Approval Pending QTY: Scale: 3:2	
Passing on and copying of this document, use and its contents is not permitted unless expressly permitted. Violators are liable for damages. All rights for the Case of patent award or utility model registration. (DIN34/ISO16016)					Date: 2016/10/19 Name: AS		Hardness: - HRC Name / Title: YOKE TYPE TRACK ROLLER BEARING		Material: - Finish: -	
Weitergabe sowie Vervielfältigung dieser Unterlage, Verwertung und Mitteilung ihres Inhalts nicht gestattet, soweit nicht ausdrücklich erlaubt. Zuwiderhandlungen verpflichten zu Schadensersatz. Alle Rechte für den Fall der Patenterteilung oder Gebrauchsmuster-Eintragung vorbehalten. (DIN34/ISO16016)					Check: - Aprv: -		Mat'l Dims: CYR 2 1/2 Description: NO SEALS		Machine Name: - Machine No: -	
Department: LoadRunner							Tool Name: - Tool No: -		Drawing Number: 0009221400 Sheet Size: ANSI B 1 of 1	
Rev ECN Description Date Name Made From:-					SAP Part Number: - Replacement for:-		Replaced by:-		-	

8 7 6 5 4 3 2 1