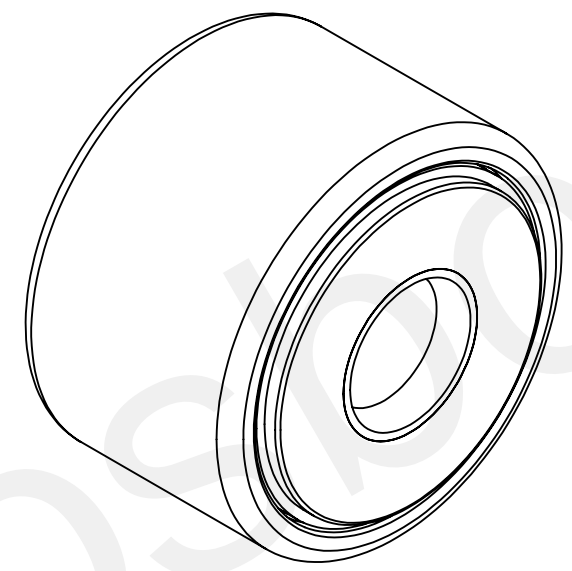


SECTION A-A



Number	Item	Quantity
5	Inner Ring	1
4	Retaining Washer	2
3	Seal	2
2	Roller	24
1	Outer Ring	1

Notes: 1.Bearing must be clean, free of burrs, scratches and other foreign matters 2.Radial internal clearance: 0.02-0.045mm 3.Dynamic load: 2225 LBS, Static load: 6120 LBS 4.Bearing pre-lubricated with EP-2 extreme pressure grease 5.Black oxide on external surfaces Passing on and copying of this document, use and its contents is not permitted unless expressly permitted. Violators are liable for damages. All rights for the Case of patent award or utility model registration. (DIN34/ISO16016) Weitergabe sowie Vervielfältigung dieser Unterlage, Verwertung und Mitteilung ihres Inhalts nicht gestattet, soweit nicht ausdrücklich erlaubt. Zuwiderhandlungen verpflichten zu Schadensersatz. Alle Rechte für den Fall der Patenterteilung oder Gebrauchsmuster-Eintragung vorbehalten. (DIN34/ISO16016)					Units are in Inches ASME Y14.5 X.X ± 0.040 X.XX ± 0.015 X.XXX ± 0.005 X.XXXX ± 0.0005		Third Angle Projection		State: Approval Pending QTY: Scale: 3:1	
Drawn 2016/10/17 AS Check - - Aprv - -					Date Name 2016/10/17 AS		Material: - Finish: - Hardness: - HRC			
Department LoadRunner					Machine Name: - Machine No: -		Name / Title: YOKE TYPE TRACK ROLLER BEARING Mat'l Dims: CYR-1-S Description: SEALED			
- - - - - - - - - - + - Initial Release - -							Tool Name: - Tool No: - Drawing Number: 0009220000 SAP Part Number: - Replacement for: - Replaced by: -			
Rev	ECN	Description	Date	Name	Made From:-	Sheet Size ANSI B 1 of 1				