

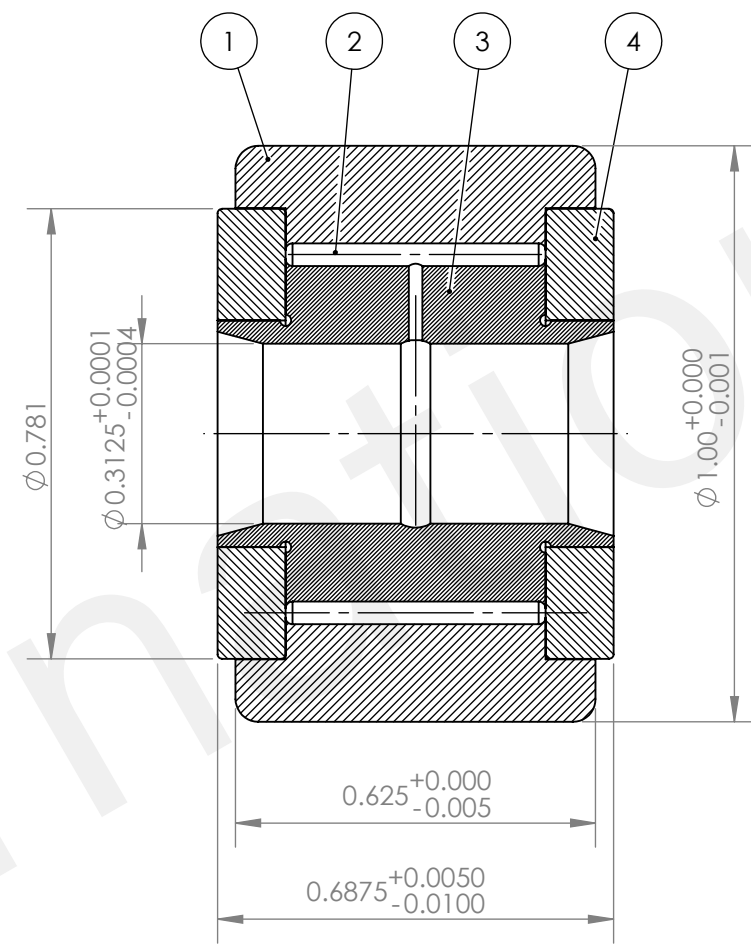
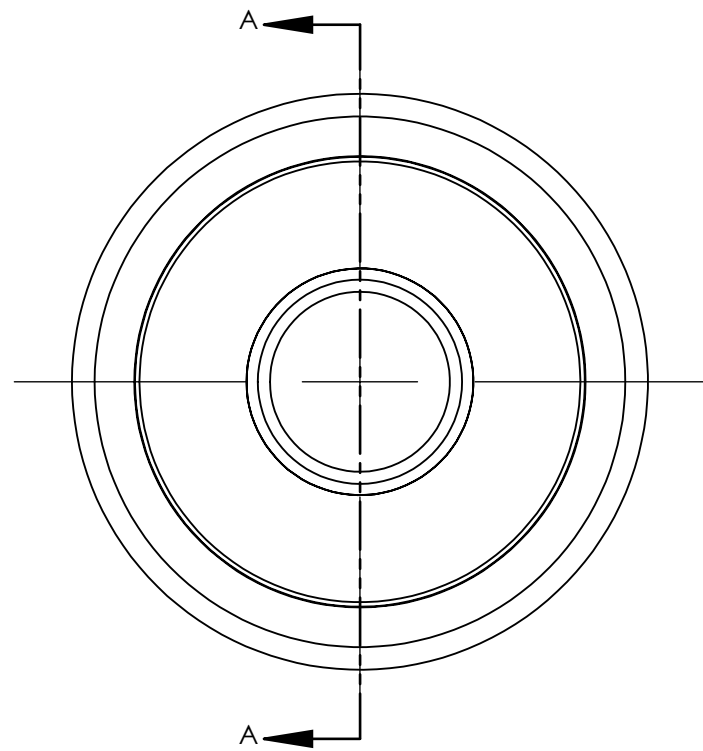
8 7 6 5 4 3 2 1

D

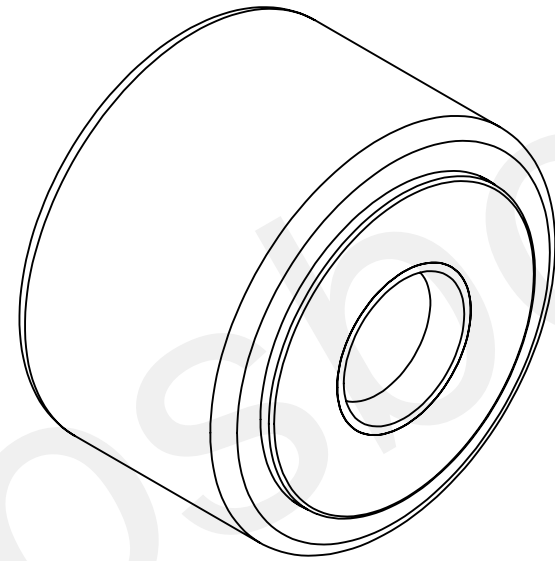
C

B

A



SECTION A-A



Number	Item	Quantity
4	Retaining Washer	2
3	Inner Ring	1
2	Roller	24
1	Outer Ring	1

<p>Notes:</p> <p>1.Bearing must be clean, free of burrs, scratches and other foreign matters</p> <p>2.Radial internal clearance: 0.02-0.045mm</p> <p>3.Dynamic load: 2225 LBS, Static load: 6120 LBS</p> <p>4.Bearing pre-lubricated with EP-2 extreme pressure grease</p> <p>5.Black oxide on external surfaces</p> <p>Passing on and copying of this document, use and its contents is not permitted unless expressly permitted. Violators are liable for damages. All rights for the Case of patent award or utility model registration. (DIN34/ISO16016)</p> <p>Weitergabe sowie Vervielfältigung dieser Unterlage, Verwertung und Mitteilung ihres Inhalts nicht gestattet, soweit nicht ausdrücklich erlaubt. Zuwiderhandlungen verpflichten zu Schadensersatz. Alle Rechte für den Fall der Patenterteilung oder Gebrauchsmuster-Eintragung vorbehalten. (DIN34/ISO16016)</p>					<p>Units are in Inches ASME Y14.5</p> <p>X.X ± 0.040</p> <p>X.XX ± 0.015</p> <p>X.XXX ± 0.005</p> <p>X.XXXX ± 0.0005</p>		<p>Third Angle Projection</p>		<p>State: Approval Pending</p> <p>QTY: -</p> <p>Scale: 3:1</p>	
<p>Drawn: 2016/10/18 AS</p> <p>Check: - -</p> <p>Aprv: - -</p> <p>Department: LoadRunner</p>					<p>Hardness: - HRC</p> <p>Name / Title: YOKE TYPE TRACK ROLLER BEARING</p> <p>Mat'l Dims: CYR-1</p> <p>Description: NO SEALS</p>		<p>Machine Name: -</p> <p>Machine No: -</p> <p>Tool Name: -</p> <p>Tool No: -</p>			
<p>Rev ECN Description Date Name</p>							<p>Drawing Number: 0009219900</p> <p>SAP Part Number: -</p> <p>Replacement for: -</p>			
<p>Initial Release</p>					<p>Sheet Size ANSI B 1 of 1</p>		<p>Replaced by: -</p>			

8 7 6 5 4 3 2 1