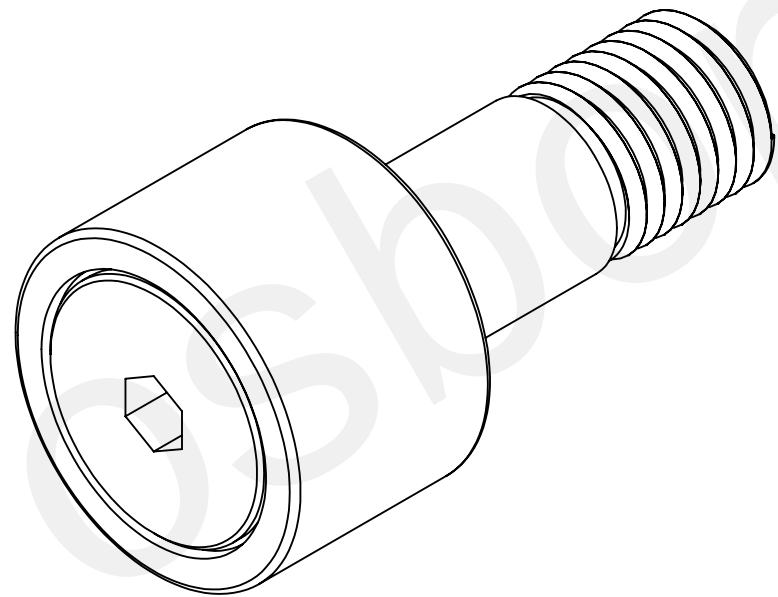


SECTION A-A

NO.	NAME	QTY
68	SEAL RING	2
12	LOOSE RIB	1
04	NEEDLE ROLLER (P1.5X6.8)	19
02	SHAFT	1
01	OUTER RING	1



<p>Notes:</p> <ol style="list-style-type: none"> Rated Load: Cr=5.38 KN, Cor=6.08 KN Radial internal clearance: 0.020-0.045mm Bearing surface Black oxidation Grease: shell Grease Shape location Tolerance should be to current standard. 					<p>Units are in Inches ASME Y14.5</p> <p>X.X ± 0.040 X.XX ± 0.015 X.XXX ± 0.005 X.XXXX ± 0.0005</p>		<p>Third Angle Projection</p>		<p>State: Approval Pending</p> <p>QTY: -</p> <p>Scale: 5:1</p>	
<p>Passing on and copying of this document, use and its contents is not permitted unless expressly permitted. Violators are liable for damages. All rights for the Case of patent award or utility model registration. (DIN34/ISO16016)</p> <p>Weitergabe sowie Vervielfältigung dieser Unterlage, Verwertung und Mitteilung ihres Inhalts nicht gestattet, soweit nicht ausdrücklich erlaubt. Zuwiderhandlungen verpflichten zu Schadenersatz. Alle Rechte für den Fall der Patenterteilung oder Gebrauchsmuster-Eintragung vorbehalten. (DIN34/ISO16016)</p>					<p>Date: 2016/11/17</p> <p>Name: AS</p>		<p>Hardness: - HRC</p> <p>Name / Title: STUD TYPE TRACK ROLLER BEARING</p>		<p>Material: -</p> <p>Finish: -</p>	
<p>Department: LoadRunner</p>					<p>Mat'l Dims: CFH 5/8 SB</p> <p>Description: Hex/HD/Sealed</p>		<p>Machine Name: -</p> <p>Machine No: -</p>		<p>Sheet Size: ANSI B 1 of 1</p>	
<p>Rev: -</p> <p>ECN: -</p> <p>Description: Initial Release</p> <p>Date: -</p> <p>Name: -</p>							<p>Drawing Number: 0009219400</p> <p>SAP Part Number: -</p> <p>Replacement for: -</p>		<p>Replaced by: -</p>	