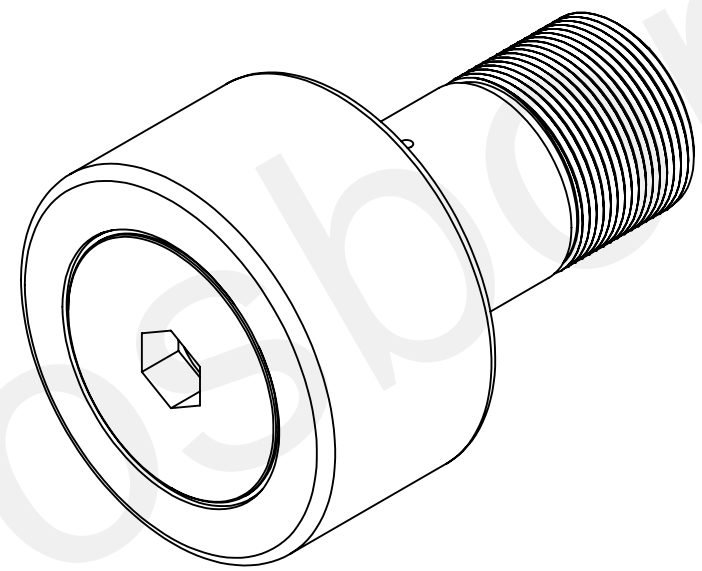


SECTION A-A



Number	Item	Quantity
5	Shaft	1
4	Retaining Washer	1
3	Seal	2
2	Roller	38
1	Outer Ring	1

Notes:  
 1.Bearing must be clean, free of burrs, scratches and other foreign matters  
 2.Radial internal clearance: 0.02-0.045mm  
 3.Dynamic load: 29985 LBS, Static load: 89540 LBS  
 4.Bearing pre-lubricated with EP-2 extreme pressure grease  
 5.Black oxide on external surfaces  
 Passing on and copying of this document, use and its contents is not permitted unless expressly permitted. Violators are liable for damages. All rights for the Case of patent award or utility model registration. (DIN34/ISO16016)  
 Weitergabe sowie Vervielfältigung dieser Unterlage, Verwertung und Mitteilung ihres Inhalts, nicht gestattet, soweit nicht ausdrücklich erlaubt. Zuwiderhandlungen verpflichten zu Schadenersatz. Alle Rechte für den Fall der Patenterteilung oder Gebrauchsmuster-Eintragung vorbehalten. (DIN34/ISO16016)

Units are in Inches ASME Y14.5  
 X.X ± 0.040  
 X.XX ± 0.015  
 X.XXX ± 0.005  
 X.XXXX ± 0.0005

Third Angle Projection

State: Approval Pending QTY: Scale: 2:3  
 Material: -  
 Finish: -  
 Hardness: - HRC  
 Name / Title: STUD TYPE TRACK ROLLER BEARING  
 Mat'l Dims: CFH 4 SB  
 Description: Hex/HD/Sealed  
 Machine Name: - Machine No: -  
 Tool Name: - Tool No: -  
 Drawing Number: 0009219100 Sheet Size ANSI B 1 of 1  
 SAP Part Number: -  
 Replacement for: - Replaced by: -

Drawn: 2016/11/22 AS  
 Check: - -  
 Aprv: - -  
 Department: LoadRunner

osborn

Rev	ECN	Description	Date	Name	Made From:-
-	-	-	-	-	-
-	-	-	-	-	-
+	-	Initial Release	-	-	-