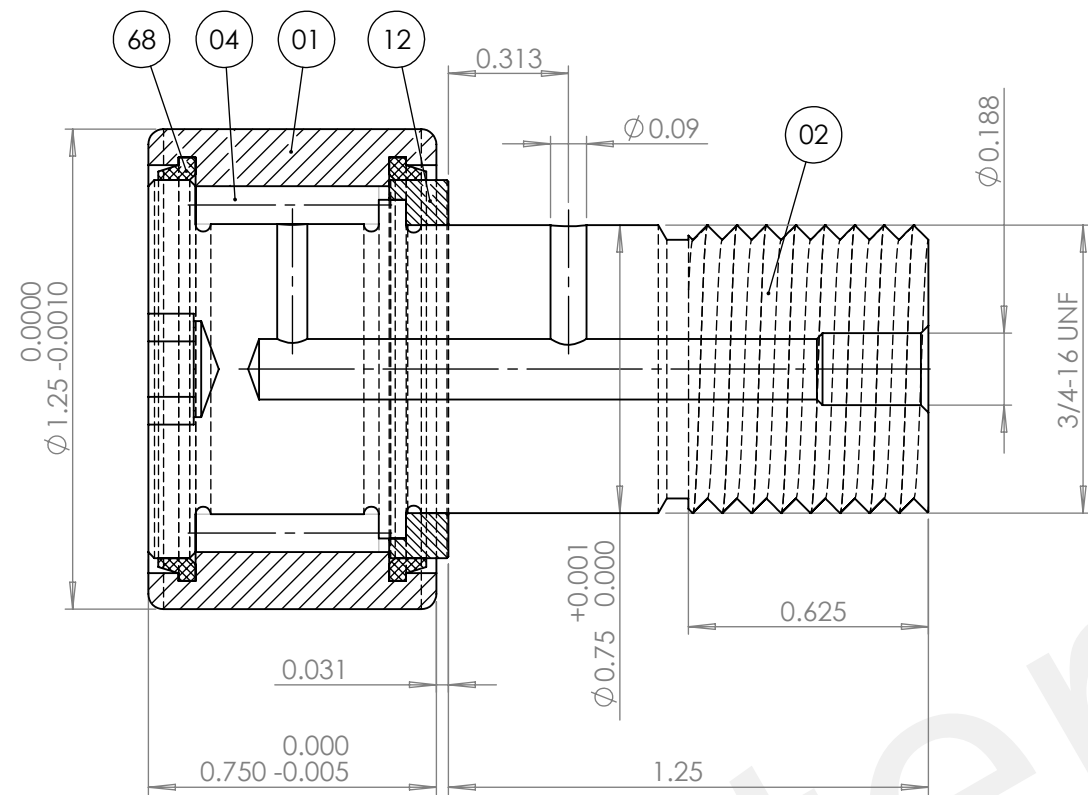


D

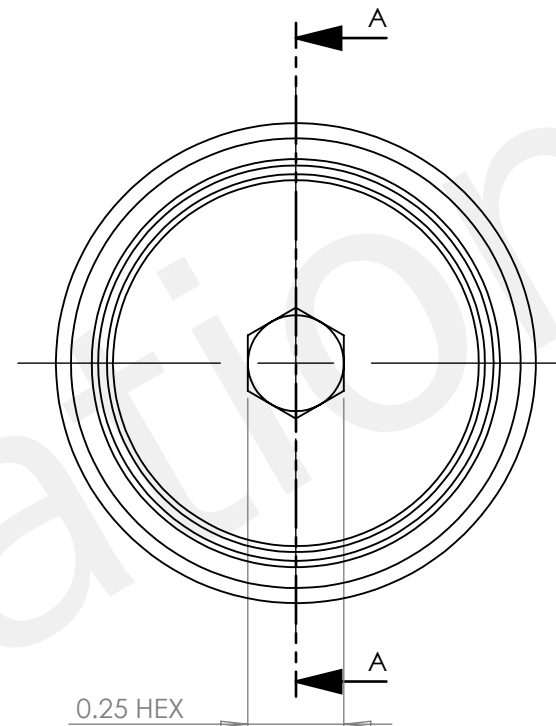
C

B

A



SECTION A-A

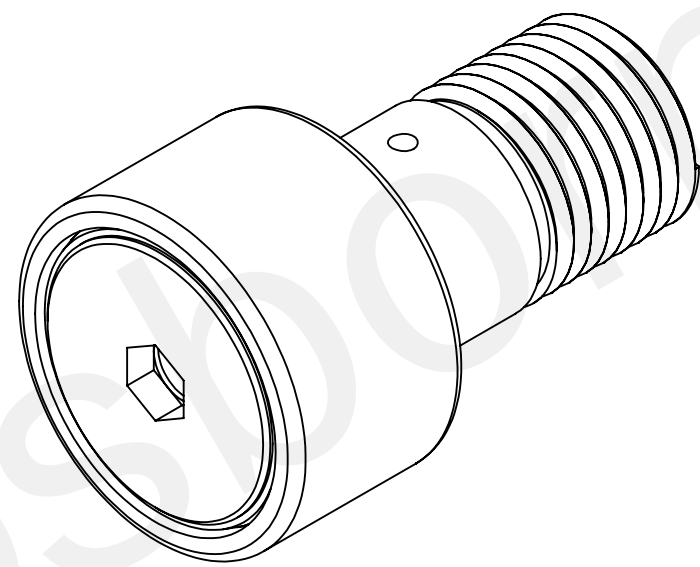


D

C

B

A



NO.	NAME	QTY
68	SEAL RING	2
12	LOOSE RIB	1
04	NEEDLE ROLLER (P2.5X11.8)	23
02	SHAFT	1
01	OUTER RING	1

Notes: 1. Rated Load: Cr=14.2 KN, Cor=18.4 KN 2. Radial internal clearance:0.020-0.045mm 3. Bearing surface Black oxidation 4. Grease:shell Grease 5. Shape location Tolerance should be to current standard.					Units are in Inches ASME Y14.5 X.X ± 0.040 X.XX ± 0.015 X.XXX ± 0.005 X.XXXX ± 0.0005		Third Angle Projection		State: Approval Pending QTY: Scale: 2:1	
Passing on and copying of this document, use and its contents is not permitted unless expressly permitted. Violators are liable for damages. All rights for the Case of patent award or utility model registration. (DIN34/ISO16016)					Date Drawn 2016/11/21 AS		Name AS		Hardness: - HRC Name / Title: STUD TYPE TRACK ROLLER BEARING Mat'l Dims: CFH 1-1/4 SB Description: Hex/HD/Sealed	
Weitergabe sowie Vervielfältigung dieser Unterlage, Verwertung und Mitteilung ihres Inhalts nicht gestattet, soweit nicht ausdrücklich erlaubt. Zuwiderhandlungen verpflichten zu Schadenersatz. Alle Rechte für den Fall der Patenterteilung oder Gebrauchsmuster-Eintragung vorbehalten. (DIN34/ISO16016)					Department LoadRunner		Machine Name: - Machine No: -		Tool Name: - Tool No: -	
Rev ECN Description Date Name							Drawing Number: 0009216600 SAP Part Number: - Replacement for: -		Sheet Size ANSI B 1 of 1 Replaced by: -	