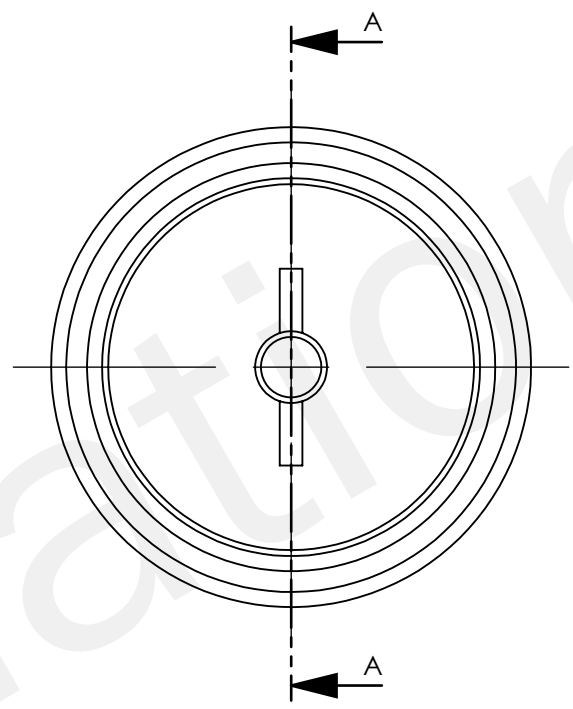
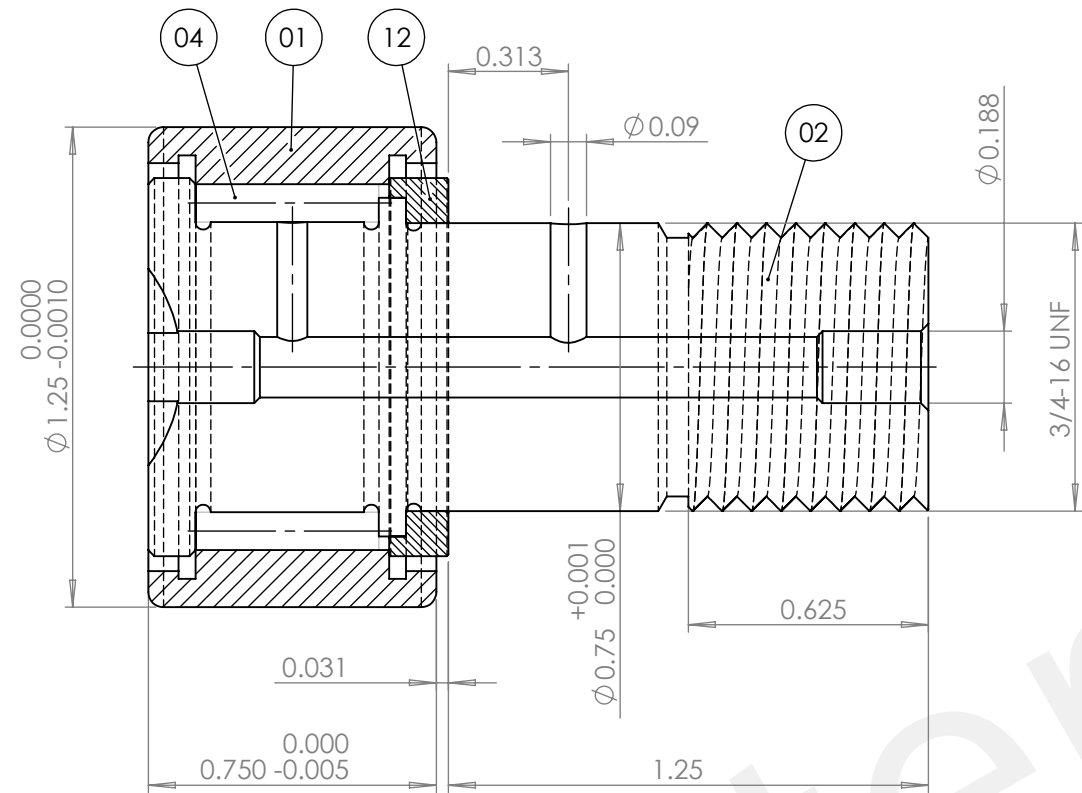
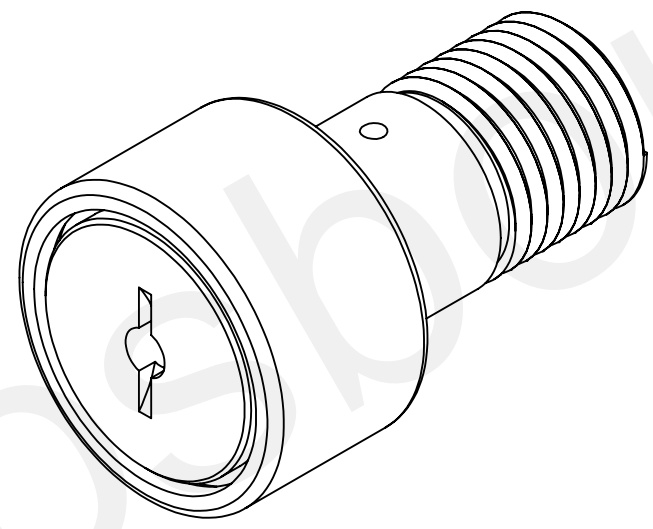


D
C
B
A

D
C
B
A



SECTION A-A



| NO. | NAME | QTY |
|-----|---------------------------|-----|
| 12 | LOOSE RIB | 1 |
| 04 | NEEDLE ROLLER (P2.5X11.8) | 23 |
| 02 | SHAFT | 1 |
| 01 | OUTER RING | 1 |

| | | | | | | | | | | |
|---|--|--|--|--|--|--|---|--|---|--|
| Notes: 1. Rated Load: Cr=14.2 KN, Cor=18.4 KN 2. Radial internal clearance: 0.020-0.045mm 3. Bearing surface Black oxidation 4. Grease: shell Grease 5. Shape location Tolerance should be to current standard. | | | | | Units are in Inches ASME Y14.5 X.X ± 0.040 X.XX ± 0.015 X.XXX ± 0.005 X.XXXX ± 0.0005 | | Third Angle Projection | | State: Approval Pending QTY: Scale: 2:1 | |
| Passing on and copying of this document, use and its contents is not permitted unless expressly permitted. Violators are liable for damages. All rights for the Case of patent award or utility model registration. (DIN34/ISO16016) | | | | | Date: 2016/11/21 Name: AS | | Hardness: - HRC Name / Title: STUD TYPE TRACK ROLLER BEARING | | Material: - Finish: - | |
| Weitergabe sowie Vervielfältigung dieser Unterlage, Verwertung und Mitteilung ihres Inhalts nicht gestattet, soweit nicht ausdrücklich erlaubt. Zuwiderhandlungen verpflichten zu Schadenersatz. Alle Rechte für den Fall der Patenterteilung oder Gebrauchsmuster-Eintragung vorbehalten. (DIN34/ISO16016) | | | | | Check: - Aprv: - | | Mat'l Dims: CFH 1-1/4 Description: HD/No Seals | | Machine Name: - Machine No: - | |
| Department: LoadRunner | | | | | | | Tool Name: - Tool No: - | | Drawing Number: 0009216400 Sheet Size: ANSI B 1 of 1 | |
| Rev ECN Description Date Name Made From: - | | | | | Replacement for: - | | Replaced by: - | | SAP Part Number: - | |