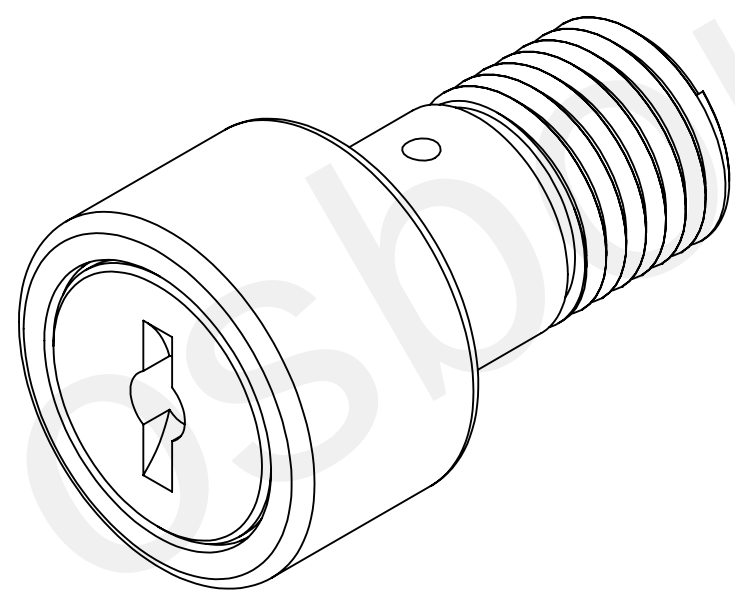


SECTION A-A



NO.	NAME	QTY
68	SEAL RING	2
12	LOOSE RIB	1
04	NEEDLE ROLLER (P1.5X10.8)	32
02	SHAFT	1
01	OUTER RING	1

Notes: 1. Rated Load: Cr=9.12 KN Cor=14.1 KN 2. Radial internal clearance:0.020-0.045mm 3. Bearing surface Black oxidation 4. Grease:shell Grease 5. Shape location Tolerance should be to current standard.					Units are in Inches ASME Y14.5 X.X ± 0.040 X.XX ± 0.015 X.XXX ± 0.005 X.XXXX ± 0.0005		Third Angle Projection		State: Approval Pending QTY: Scale: 3:1	
Passing on and copying of this document, use and its contents is not permitted unless expressly permitted. Violators are liable for damages. All rights for the Case of patent award or utility model registration. (DIN34/ISO16016)					Date: 2016/11/14 Name: AS		Hardness: - HRC Name / Title: STUD TYPE TRACK ROLLER BEARING		Material: - Finish: -	
Weitergabe sowie Vervielfältigung dieser Unterlage, Verwertung und Mitteilung ihres Inhalts nicht gestattet, soweit nicht ausdrücklich erlaubt. Zuwiderhandlungen verpflichten zu Schadenersatz. Alle Rechte für den Fall der Patenterteilung oder Gebrauchsmuster-Eintragung vorbehalten. (DIN34/ISO16016)					Check: - Aprv: -		Mat'l Dims: CFH 1 S Description: HD / Sealed		Machine Name: - Machine No: -	
Department: LoadRunner							Tool Name: - Tool No: -		Drawing Number: 0009215300 Sheet Size: ANSI B 1 of 1	
Rev	ECN	Description	Date	Name	Made From:-	SAP Part Number: - Replacement for:-		Machine No: - Replaced by:-		