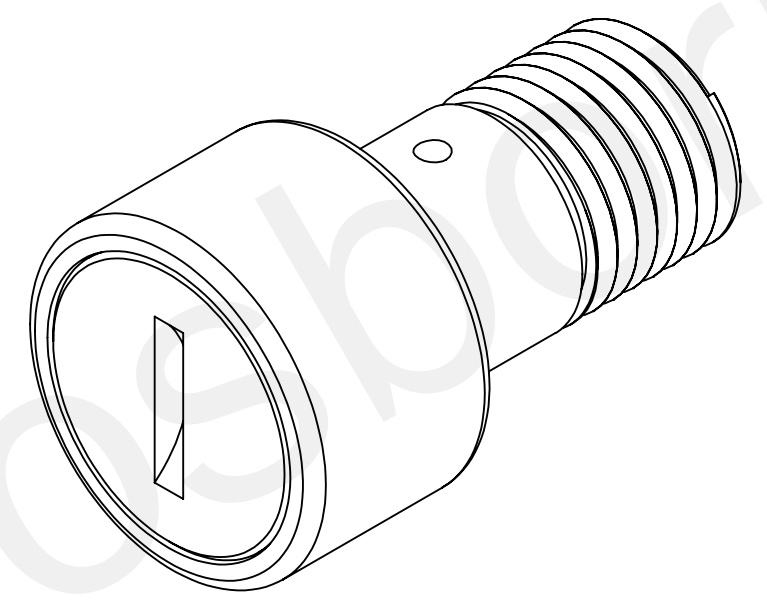


SECTION A-A

Number	Item	Quantity
4	Shaft	1
3	Retaining Washer	2
2	Roller (Ø2x9.8)	44
1	Outer Ring	1



Notes:

- Bearing must be clean, free of burrs, scratches and other foreign matters
- Radial internal clearance: 0.02-0.045mm
- Dynamic load: 2225 LBS, Static load: 3060 LBS
- Bearing pre-lubricated with EP-2 extreme pressure grease
- Black oxide on external surfaces

Passing on and copying of this document, use and its contents is not permitted unless expressly permitted. Violators are liable for damages. All rights for the Case of patent award or utility model registration. (DIN34/ISO16016)

Weitergabe sowie Vervielfältigung dieser Unterlage, Verwertung und Mitteilung ihres Inhalts, nicht gestattet, soweit nicht ausdrücklich erlaubt. Zuwiderhandlungen verpflichten zu Schadenersatz. Alle Rechte für den Fall der Patenterteilung oder Gebrauchsmuster-Eintragung vorbehalten. (DIN34/ISO16016)

Rev	ECN	Description	Date	Name
-	-	-	-	-
-	-	-	-	-
+	-	Initial Release	-	-

Units are in Inches  
ASME Y14.5

X.X ± 0.040  
X.XX ± 0.015  
X.XXX ± 0.005  
X.XXXX ± 0.0005

Third Angle Projection

Date	Name
2016/11/14	AS
-	-
-	-

Department: LoadRunner

State: Approval Pending	QTY:	Scale: 3:1
Material: -		
Finish: -		
Hardness: - HRC		
Name / Title: STUD TYPE TRACK ROLLER BEARING		
Mat'l Dims: CFH 1		
Description: HD / No Seals		
Machine Name: -	Machine No: -	
Tool Name: -	Tool No: -	
Drawing Number: 0009215200		Sheet Size ANSI B 1 of 1
SAP Part Number: -		
Replacement for: -	Replaced by: -	