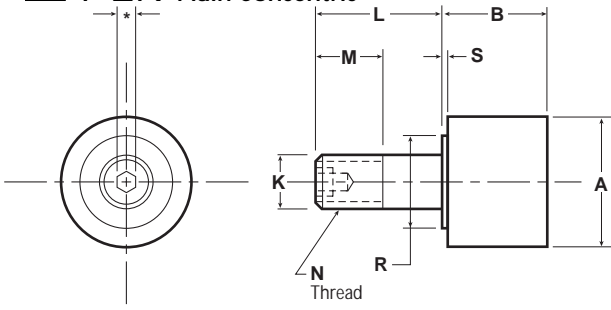
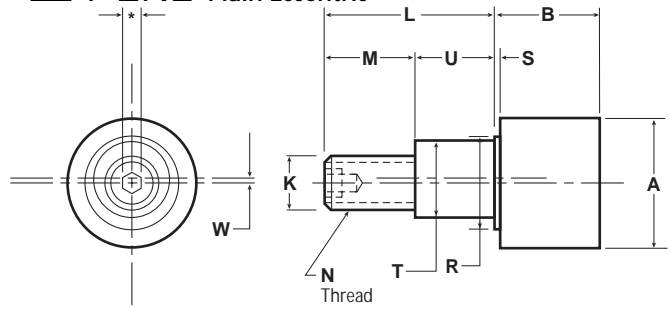


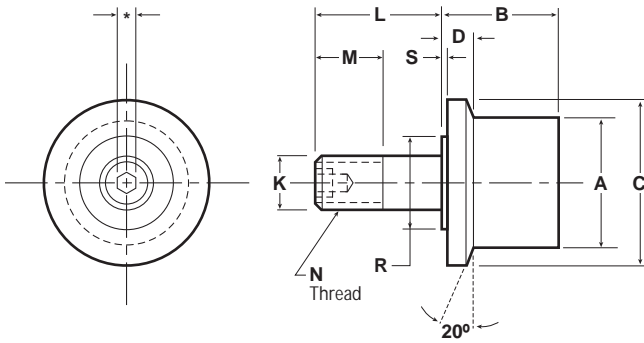
PLR Plain Concentric



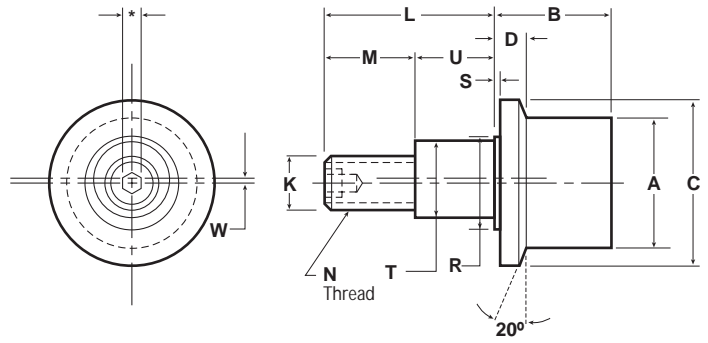
PLRE Plain Eccentric



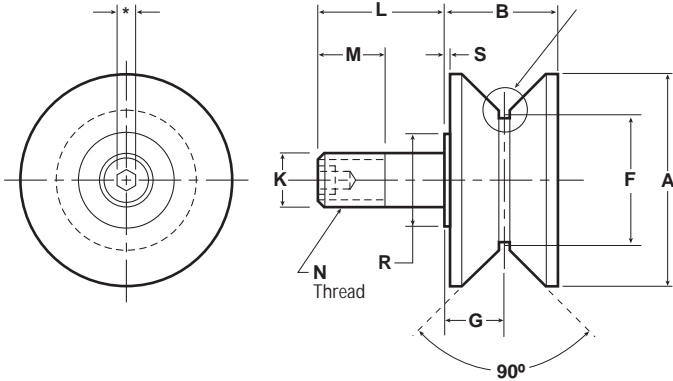
FLR Flanged Concentric



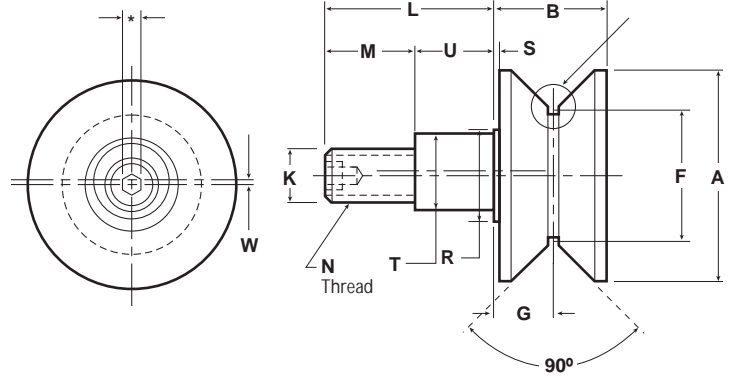
FLRE Flanged Eccentric



VLR V-Grooved Concentric



VLRE V-Grooved Eccentric



Name: _____

Company: _____

Address: _____

Phone: _____

Application: _____

Operating Temperature: _____

Loads: _____

Speeds: _____

Desired L-10 Life: _____

Lubrication:
 Sealed Solid Lub. Manual

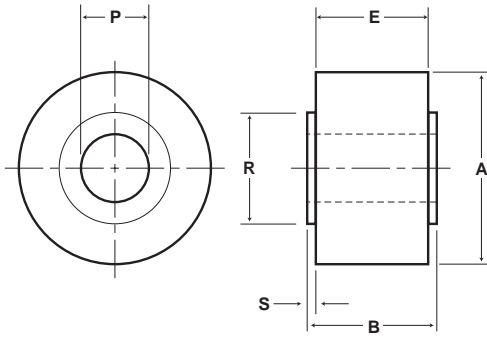
Material:
 Steel Stainless Other _____

Critical Dimensions: _____

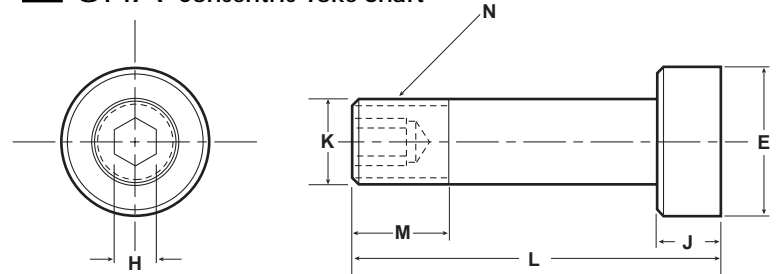
- A** Roller Dia.
- B** Roller Width
- C** Flange Dia.
- D** Flange Width
- F** Point Dia.
- G** Groove Loc.
- K** Stud Dia.
- L** Stud Length
- M** Thread Len.
- N** Thread
- R** Shoulder Dia.
- S** Shoulder Len.
- T** Eccent. Dia.
- U** Eccent. Len.
- W** Eccentricity

FAX TO 216-361-1606

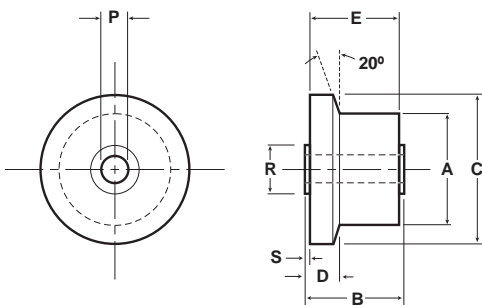
PLRY Plain Yoke Style



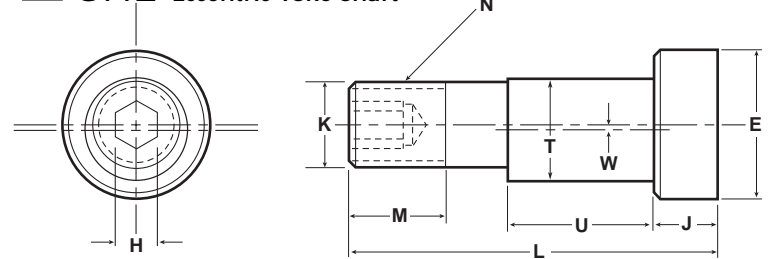
SHA Concentric Yoke Shaft



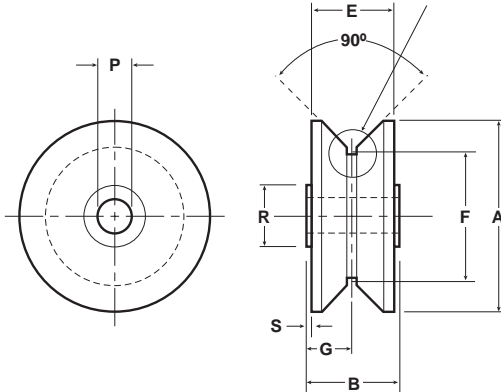
FLRY Flanged Yoke Style



SHE Eccentric Yoke Shaft



VLRY V-Grooved Yoke Style



Name: _____

Company: _____

Address: _____

Phone: _____

Application: _____

Operating Temperature: _____

Loads: _____

Speeds: _____

Desired L-10 Life: _____

Lubrication:
 Sealed Solid Lub. Manual

Material:
 Steel Stainless Other _____

Critical Dimensions: _____

- A** Roller Dia.
- B** Roller Width
- C** Flange Dia.
- D** Flange Width
- E** Head Dia.
- F** Point Dia.
- G** Groove Loc.
- J** Head Length
- K** Shaft Dia.
- P** Shaft Length
- M** Thread Len.
- N** Thread
- R** Shoulder Dia.
- S** Shoulder Len.
- T** Eccent. Dia.
- U** Eccent. Len.
- W** Eccentricity

FAX TO 216-361-1606